

### APPLICATION

Eurorack is a 19 inch subrack system designed for mounting plug-in modules and printed circuit boards. Dimensions conform to DIN 41494 parts 1 and 5, internal dimensions conform to DIN 41494 part 2 for plug-in modules and printed circuit boards.

### CONSTRUCTION

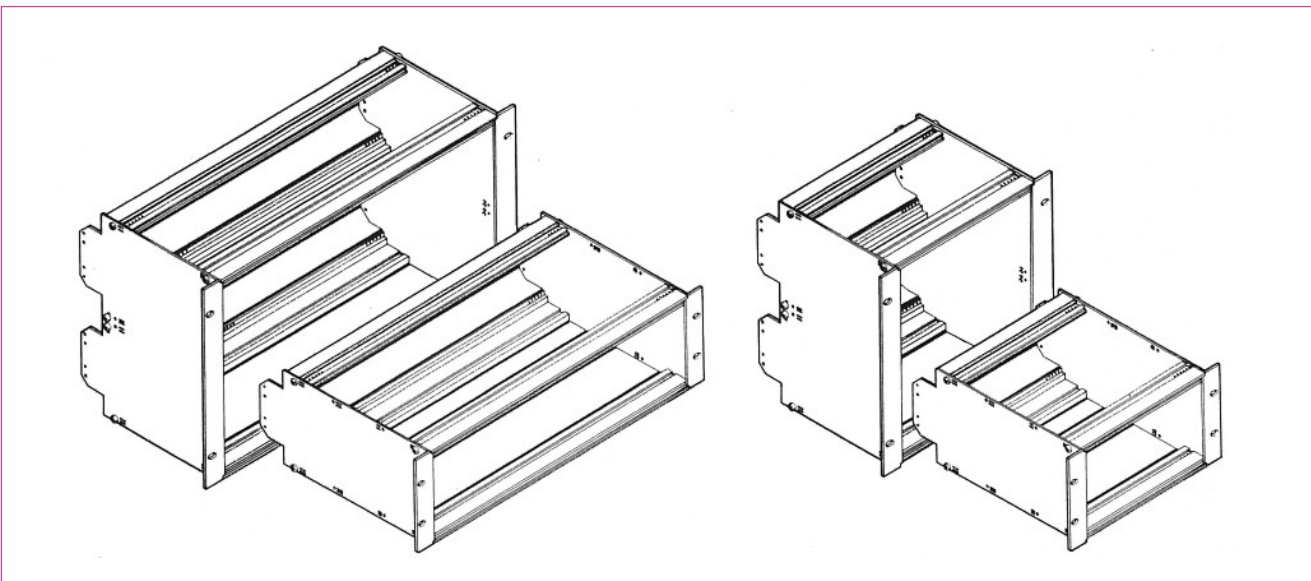
Sideplates are made from 2,5mm aluminium alloy satin anodised to BS1615-AA10. Horizontal rails are extruded from aluminium alloy, guide location holes are punched on a 5,08mm pitch and are printed 1-84, 84-1 for guide rail alignment. To provide horizontal rails with a positive location, the sideplates have semi-shears which locate against each end of the rail. The sideplates are profiled at the rear to protect connector pins and has fixing holes to accept vertical bus bars or full width rear cover.

### EARTHING

All extrusions are tapped after anodising and fitted using a single M5 fixing each end. The fixing screws have serrations beneath the head which breaks the anodic coating of the sideplate to provide earth continuity throughout.

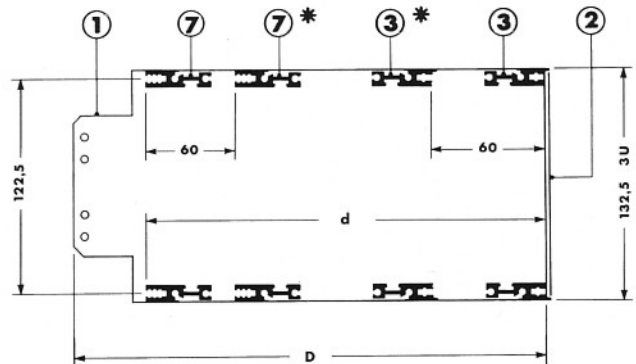
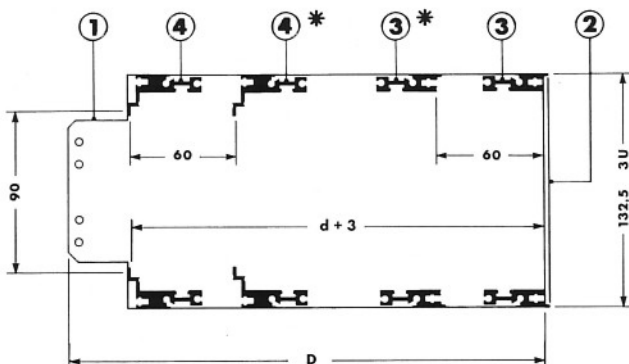
### SUPPLY

Supplied in kit form. Assembly and Earth continuity can be carried out on request.



**3U x 84HP**  
**Type 1 DIN 41612**

**3U x 84HP**  
**Type 2 MOTHERBOARD**



\* Indicates alternative positions

Supplied in kit form comprising:

Ref	Description	Qty
1	Sideplate	2
2	T-Front Plate	2
3	Front Horizontal Rail	2
4	Connector Mounting Rail	2
	Screws M5 x 12mm, Pan Hd	8

\* Indicates alternative positions

Supplied in kit form comprising:

Ref	Description	Qty
1	Sideplate	2
2	T-Front Plate	2
3	Front Horizontal Rail	2
7	Rear Horizontal Rail	2
	Screws M5 x 12mm, Pan Hd	8