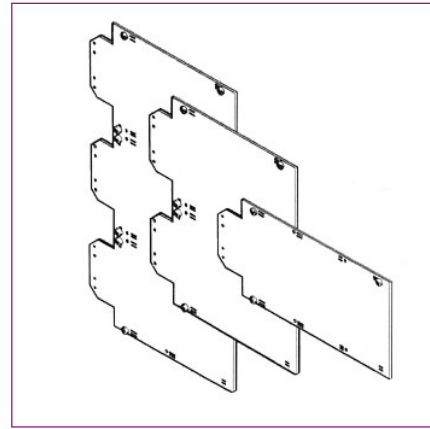


SIDEPLATES, EURORACK SERIES

Material: 2,5mm aluminium alloy, satin anodised to BS1615-AA10. Rail positions to suit 160, 220 and 280 PCB depths, profiled at rear to protect connector pins, will accept Euro front mounting angles only.

ORDER CODES

HEIGHT	DEPTH	160	220	280
3U		67212B	67213X	65319H
6U		67214R	67215G	65320R
9U		65317N	65318X	65321G

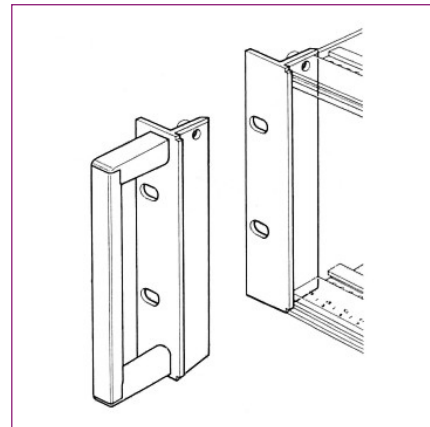


MOUNTING ANGLES, EURORACK SERIES

Extruded from aluminium alloy, satin anodised to BS1615-AA10. Fits to front of subrack for 19 inch rack mounting applications. Compatible with Euro and Versirak. Uses horizontal rail screw as common fixing for angle.

ORDER CODES

HEIGHT	W/O HANDLE FIXING	WITH HANDLE FIXING	HANDLE KIT
3U	67190D	67692D	96135D
6U	67191B	67693B	96136B
9U	65322F	65619R	



DIVIDER PLATES, EURORACK SERIES

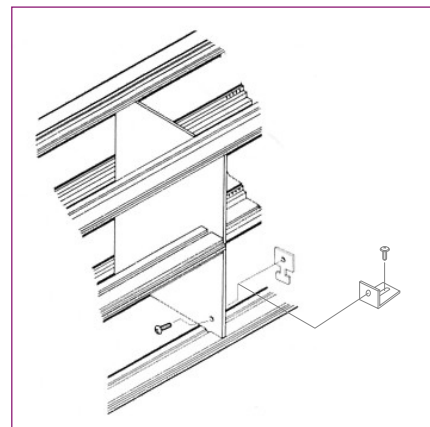
Material: 2,5mm aluminium alloy, satin anodised to BS1615-AA10. Divides subrack horizontally, tie plate prevents rail deflection. Compatible with Euro and Versirak.

ORDER CODES, TIE PLATES

T Plate	69672R
L Plate	65314M

ORDER CODES, DIVIDER PLATES

HEIGHT	DEPTH	160	220	TIE PLATE
3U		67192X	67193R	69072R
6U		65323D	65324B	



MOUNTING ANGLE, RECESSED, EURORACK SERIES

Extruded from aluminium alloy, satin anodised to BS1615-AA10. Allows panel face to be recessed 16mm for cable and connector access. Compatible with Euro and Versirak.

ORDER CODES

HEIGHT	W/O HANDLE FIXING
3U	65325M
6U	65326E
9U	65327C

