

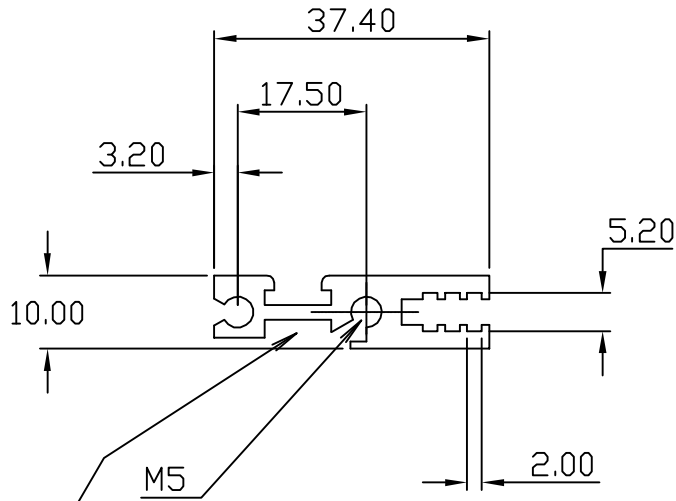
THIS DOCUMENT IS THE PROPERTY OF SUBRACK SYSTEM PRODUCTS LTD AND MUST NOT BE DISCLOSED/COPIED TO A THIRD PARTY WITHOUT CONSENT.

A

B

IF IN DOUBT-ASK

EXTRUSION No. 55151E



3.10 DIA. HOLES ON 5.08mm PITCHES, CAN BE PUNCHED IN THIS AREA

DIMENSIONS IN MILLIMETERS  
GEOMETRIC SYMBOLS TO B.S.308

A ) 24-11-97					
MATERIAL		AL.AL BS1474	FINISH		
		6063 TF			
DRAWN	CHK,D	TITLE			
MB		REAR RAIL			
		TYPE 2 M.B.			

REFERENCES	DDISK
------------	-------

SRS PRODUCTS LTD	SCALE	1 - 1	SHEET	1 - 1	CODE	55151E	A4
------------------	-------	-------	-------	-------	------	--------	----

4  
3  
2  
1