

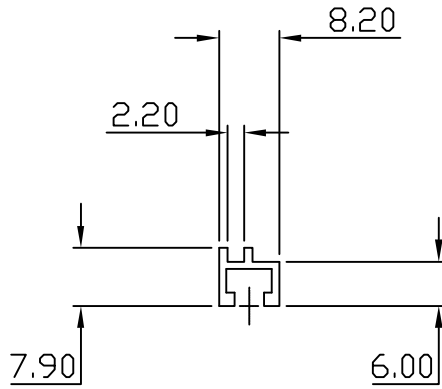
THIS DOCUMENT IS THE PROPERTY OF SUBRACK SYSTEM PRODUCTS LTD AND MUST NOT BE DISCLOSED/COPIED TO A THIRD PARTY WITHOUT CONSENT.

A

B

IF IN DOUBT-ASK

EXTRUSION No. 55185G



DIMENSIONS IN MILLIMETERS
GEOMETRIC SYMBOLS TO B.S.308

A > 24-11-97									
MATERIAL		AL AL BS1474		FINISH					
		6063 TF							
DRAWN	CHK,D	TITLE							
MB		GUIDE RAIL							

REFERENCES	DDISK
------------	-------

SRS PRODUCTS LTD	SCALE	1 - 1	SHEET	1 - 1	CODE	55185G	A4
------------------	-------	-------	-------	-------	------	--------	----

4

3

2

1