

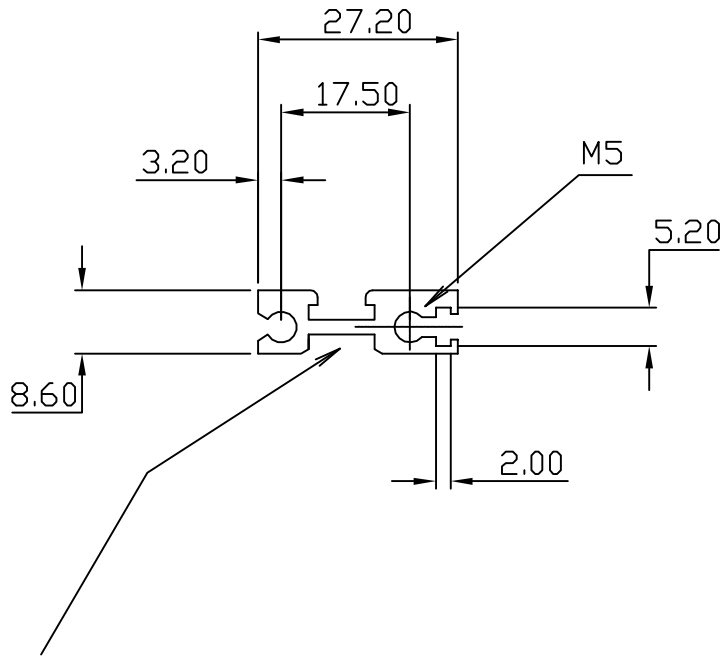
THIS DOCUMENT IS THE PROPERTY OF SUBRACK SYSTEM PRODUCTS LTD AND MUST NOT BE DISCLOSED/COPIED TO A THIRD PARTY WITHOUT CONSENT.

A

B

IF IN DOUBT-ASK

EXTRUSION No. 55201A



3.10 DIA. HOLES ON 5.08mm PITCHES, CAN BE PUNCHED IN THIS AREA

DIMENSIONS IN MILLIMETERS  
GEOMETRIC SYMBOLS TO B.S.308

A ) 24-11-97					
MATERIAL AL AL BS1474		FINISH			
6063 TF					
DRAWN MB	CHK,D	TITLE RECESS RAIL			

REFERENCES  
DDISK

4  
3  
2  
1