

A

B

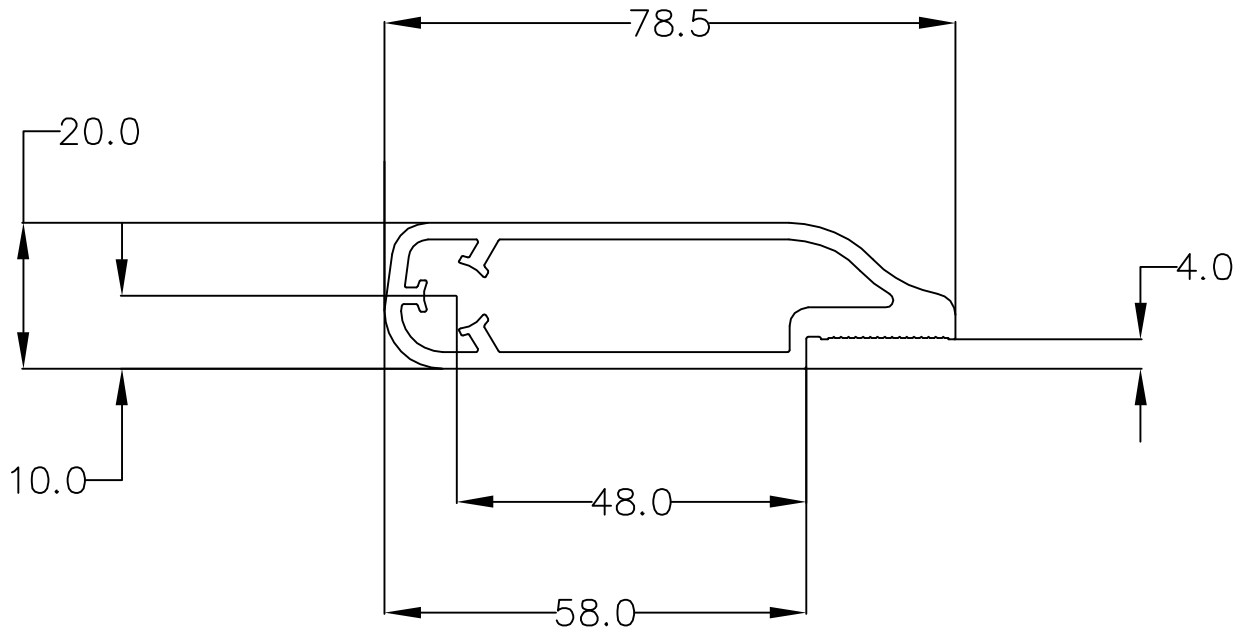
C

D

E

F

IF IN DOUBT-ASK



### 55500A-DOOR EXTRUSION PROFILE

DIMENSIONS IN MILLIMETERS  
GEOMETRIC SYMBOLS TO B.S.308

FULL SIZE

5 10-1-07			REFERENCES	
			CUBIC	
MATERIAL			FINISH	
DRAWN			CHK,D	
REB			SEE ABOVE	
SRS PRODUCTS PLC			SCALE	1-1
			SHEET	2-2
			CODE	55500A/A4
			TOLERANCES UNLESS STATED 0 + - 1 0.0 + - 0.5 0.00 + - 0.20 0.000 + - 0.100 ANGLE + - 1.5 DEG. SINGLE PUNCHED HOLES / CUTOUTS SIZE TO BE + - 0.1 UNLESS STATED	

THIS DOCUMENT IS THE PROPERTY OF SRS PRODUCTS PLC AND MUST NOT BE DISCLOSED / COPIED TO A THIRD PARTY WITHOUT CONSENT

4

3

2

1