

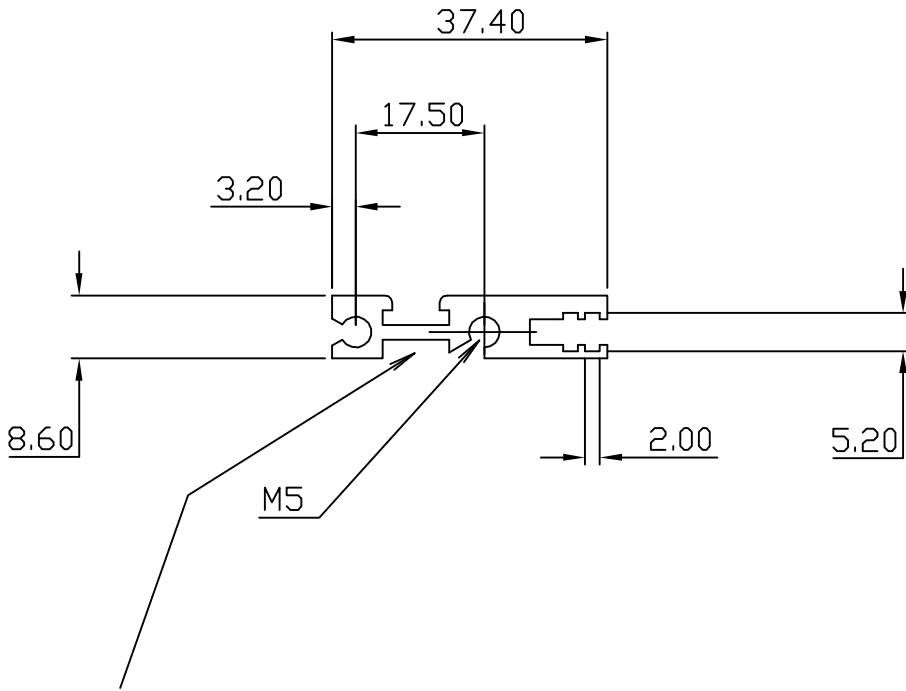
THIS DOCUMENT IS THE PROPERTY OF SUBRACK SYSTEM PRODUCTS LTD AND MUST NOT BE DISCLOSED/COPIED TO A THIRD PARTY WITHOUT CONSENT.

A

B

IF IN DOUBT-ASK

EXTRUSION No. 68890G



3.10 DIA. HOLES ON 5.08mm PITCHES, CAN BE PUNCHED IN THIS AREA

DIMENSIONS IN MILLIMETERS  
GEOMETRIC SYMBOLS TO B.S.308

A ) 24-11-97					
MATERIAL		AL.AL BS1474	FINISH		
		6063 TF			
DRAWN	CHK,D	TITLE			
MB		REAR RAIL SLIM M.B.			

REFERENCES  
DDISK

SRS PRODUCTS LTD		SCALE	1 - 1	SHEET	1 - 1	CODE	68890G	A4
------------------	--	-------	-------	-------	-------	------	--------	----

4

3

2

1