

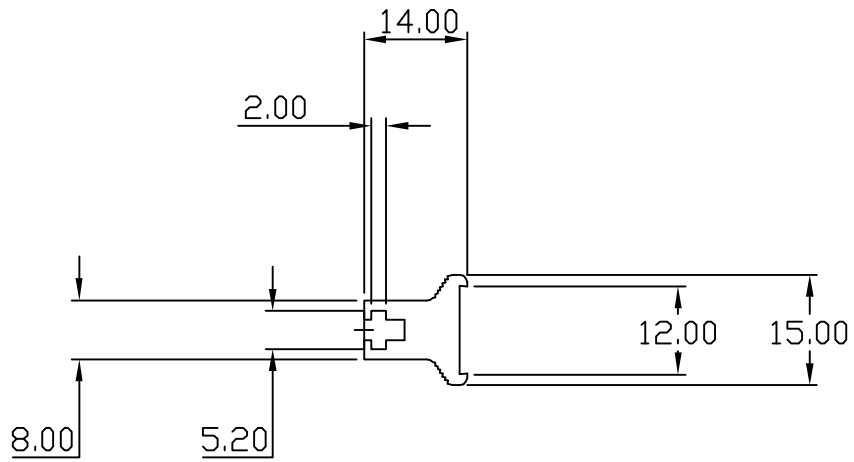
THIS DOCUMENT IS THE PROPERTY OF SUBRACK SYSTEM PRODUCTS LTD AND MUST NOT BE DISCLOSED/COPIED TO A THIRD PARTY WITHOUT CONSENT.

A

B

IF IN DOUBT-ASK

EXTRUSION No. 68891D



DIMENSIONS IN MILLIMETERS  
GEOMETRIC SYMBOLS TO B.S.308

A > 24-11-97					
MATERIAL AL AL BS1474		FINISH			
6063 TF					
DRAWN MB	CHK,D	TITLE HANDLE PROFILE			

REFERENCES  
DDISK

SRS PRODUCTS LTD	SCALE 1 - 1	SHEET 1 - 1	CODE 68891D	A4
------------------	-------------	-------------	-------------	----

4  
3  
2  
1