



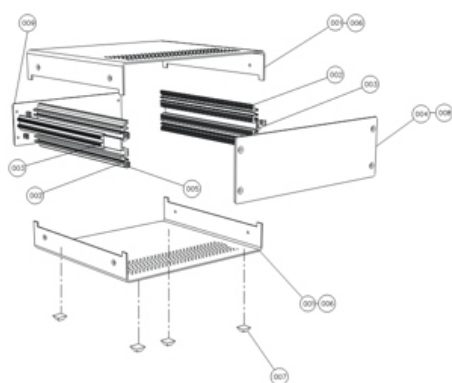
## APPLICATION

Where the sub rack has a dual role of both rack mount and desk top, we offer NETCASE. This system allows the basic case to be fitted with a range of sub rack components so that the finished unit has a stylish presentation.

- Strong Aluminium/Steel construction
- For housing desktop or portable electronics
- Various heights, widths & depths
- Four non-slip self-adhesive feet included - optional tilt feet
- Customisation service

## APPLICATIONS:

- Measuring and control technology
- Peripheral devices
- Laboratory equipment
- Medical equipment



Item	Description	Qty
001	Top/Bottom Cover	2
002	Side Extrusion	2
003	Trim Extrusion	2
004	Blank Panel	1
005	M4 Nut & Plastic Saddle	8
006	Screw M4 x 8 C'sk Pozi	8
007	Rubber Feet	4
008	Screw M4 x 12 C'sk Pozi	4
009	Rear Panel	1

## Vertical PCB, Subrack version

Pt No	H	W	D
65514B	3U	84HP	160
65515M	3U	84HP	220
65516E	3U	84HP	280

## Desk Top/Rack Mount

Pt No	H	W	D
65517R	2U	19"	280
65518G	2U	19"	340
65519F	3U	19"	280
65520D	3U	19"	340
65521B	4U	19"	280
65522M	4U	19"	340

## Horizontal PCB Mounting

65487M	16HP	3U	160
65488E	6HP	6U	160
65489R	16HP	84HP	160
65490G	6HP	3U	220
65491F	16HP	6U	220
65492D	16HP	84HP	220
65493B	16HP	3U	280
65494M	16HP	6U	280
65495E	16HP	84HP	280
65496R	20HP	3U	280
65497G	20HP	6U	280
65498E	20HP	84HP	280
65499D	20HP	3U	220
65500B	20HP	6U	220
65501M	20HP	84HP	220
65502E	20HP	3U	280
65503R	20HP	6U	280
65504G	20HP	84HP	80
65505F	24HP	3U	160
65506D	24HP	6U	160
65507B	24HP	84HP	160
65508M	24HP	3U	220
65509E	24HP	6U	220
65510R	24HP	84HP	220
65511G	24HP	3U	280
65512F	24HP	6U	280
65513D	24HP	84HP	280

## Connector Mounting plates

Pt No	H	W	D
97712G	16HP	3U	3 rows
	16HP	6U	3 rows
	20HP	3U	4 rows
	20HP	6U	4 rows
	24HP	3U	5 rows
	24HP	6U	5 rows

## Feet

97713F	Tip-up foot set
--------	-----------------