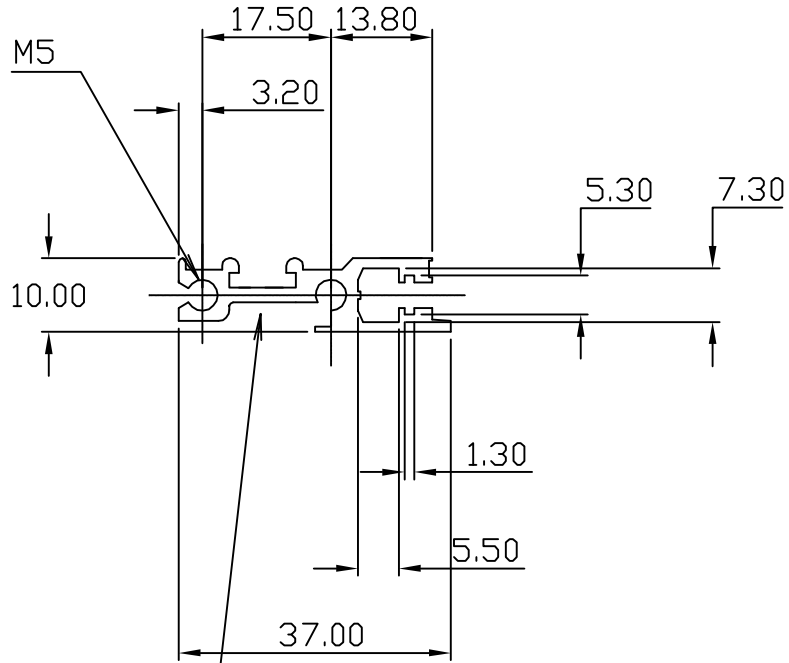


THIS DOCUMENT IS THE PROPERTY OF SUBRACK SYSTEM PRODUCTS LTD AND MUST NOT BE DISCLOSED/COPIED TO A THIRD PARTY WITHOUT CONSENT.

A

B

IF IN DOUBT-ASK



3.10 DIA. HOLES ON 5.08mm PITCHES, CAN BE PUNCHED IN THIS AREA

DIMENSIONS IN MILLIMETERS  
GEOMETRIC SYMBOLS TO B.S.308

A > 09-01-98									
MATERIAL		AL.AL BS1474		FINISH					
		6063 TF							
DRAWN	CHK,D	TITLE		LOW COST					
MB				FRONT RAIL					

REFERENCES  
DDISK

SRS PRODUCTS LTD		SCALE	1 - 1	SHEET	1 - 1	CODE	55228D	A4
------------------	--	-------	-------	-------	-------	------	--------	----

4  
3  
2  
1